

## BD80CN Direct Current Compressor R290, 12/24V DC & 100-240V AC 50/60Hz



### General

Code number (without electronic units)	101Z0403
Electronic unit 12/24V DC - Standard	101N0212, 30 pcs: 101N0213
Electronic unit 12/24V DC - AEO	101N0340, 30 pcs: 101N0341
Electronic unit 12/24V DC & 100-240V AC 50/60Hz	101N0510, 28 pcs: 101N0511
Electronic unit 12/24V DC - Automotive	101N0650, 30 pcs: 101N0651
Compressors on pallet	150

### Approvals

-
UL / VDE / CB
UL
UL / VDE / CB

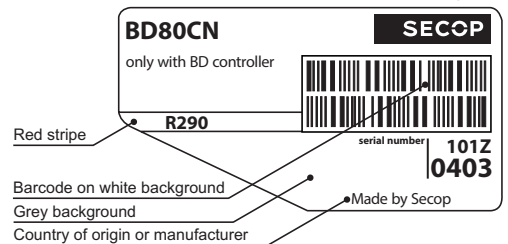


### Application

Application	LBP/MBP
Evaporating temperature °C	-40 to -5 (5)
Voltage range DC VDC	9.6 - 17 / 21.3 - 31.5
Voltage range AC V/Hz	100 - 240 / 50 - 60
Max. condensing temperature continuous (short) °C	55 (65)
Max. winding temperature continuous (short) °C	125 (135)

### Cooling requirements

Application	LBP	MBP	HBP
32°C	S	F <sub>1</sub>	-
38°C	S	F <sub>1</sub>	-
43°C	S	F <sub>1</sub>	-
Remarks on application:			



- S = Static cooling normally sufficient
- O = Oil cooling
- F<sub>1</sub> = Fan cooling 1.5 m/s (compressor compartment temperature equal to ambient temperature)
- F<sub>2</sub> = Fan cooling 3.0 m/s necessary
- SG = Suction gas cooling normally sufficient
- = not applicable in this area

### Motor

Motor type	variable speed
Resistance, all 3 windings (25°C) Ω	1.8

### Design

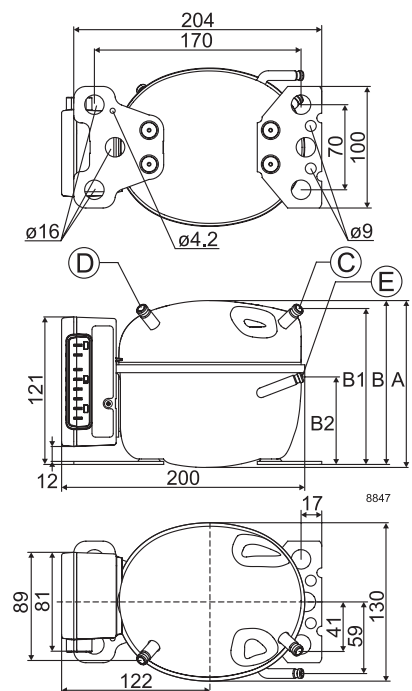
Displacement cm <sup>3</sup>	2.00
Oil quantity (type) cm <sup>3</sup>	150 (polyolester)
Maximum refrigerant charge g	120
Free gas volume in compressor cm <sup>3</sup>	870
Weight - Compressor/Electronic unit kg	4.3 / 0.19 (Standard)

### Standard battery protection settings (refer to electronic unit Instructions for optional settings)

Voltage	12V	24V
Cut out VDC	10.4	22.8
Cut in VDC	11.7	24.2

### Dimensions

Height mm	A	137
	B	135
	B1	128
	B2	73
Suction connector location/I.D. mm   angle	C	6.2   40°
material   comment		Cu-plated steel   Al cap
Process connector location/I.D. mm   angle	D	6.2   45°
material   comment		Cu-plated steel   Al cap
Discharge connector location/I.D. mm   angle	E	5.0   21°
material   comment		Cu-plated steel   Al cap
Connector tolerance I.D. mm		±0.09, on 5.0 +0.12/+0.20
Remarks		



Capacity (EN 12900 Household/CECOMAF)												12V DC, static cooling												watt
rpm \ °C	-40	-35	-30	-25	-23.3	-20	-15	-10	-5	0	5	7.2												
2,000	16.4	24.7	34.6	46.4	50.8	60.2	76.2	94.8	116	140	167													
2,500	20.2	29.0	40.7	55.5	61.2	73.0	95.0	119	147	179	215													
3,000	26.3	39.6	54.4	71.6	78.0	92.0	116	144	178	217														
3,500	31.1	45.6	62.3	82.0	89.0	105	132	165	203															

Capacity (ASHRAE LBP)												12V DC, static cooling												watt
rpm \ °C	-40	-35	-30	-25	-23.3	-20	-15	-10	-5	0	5	7.2												
2,000	18.2	27.5	38.6	51.7	56.7	67.2	85.1	106	130	157	187													
2,500	22.5	32.3	45.4	61.9	68.0	82.0	106	133	165	200	240													
3,000	29.3	44.1	60.7	80.0	87.0	102	129	161	199	243														
3,500	34.7	50.8	69.5	91.0	100	117	148	184	227															

Power consumption												12V DC, static cooling												watt
rpm \ °C	-40	-35	-30	-25	-23.3	-20	-15	-10	-5	0	5	7.2												
2,000	27.3	29	31.8	35.5	36.9	39.8	44.3	48.9	53.3	57.1	60.1													
2,500	31.5	35.9	41.1	46.9	49.0	53.0	58.9	64.4	69.2	72.9	75.1													
3,000	42.9	45.3	51.0	58.8	61.6	67.3	75.2	81.4	85.0	89.0														
3,500	45.3	52.2	60.4	69.3	72.4	78.2	87.0	93.0	98.0															

Current consumption (for 24V applications the following must be halved)												A	
rpm \ °C	-40	-35	-30	-25	-23.3	-20	-15	-10	-5	0	5	7.2	
2,000	2.13	2.25	2.47	2.78	2.89	3.13	3.51	3.89	4.23	4.52	4.73		
2,500	2.84	3.20	3.60	4.03	4.18	4.48	4.93	5.36	5.76	6.11	6.40		
3,000	3.60	3.78	4.25	4.89	5.13	5.60	6.27	6.78	7.02	7.20			
3,500	3.31	3.99	4.56	5.08	5.26	5.63	6.28	7.10	8.17				

COP (EN 12900 Household/CECOMAF)												12V DC, static cooling												W/W
rpm \ °C	-40	-35	-30	-25	-23.3	-20	-15	-10	-5	0	5	7.2												
2,000	0.60	0.85	1.09	1.31	1.38	1.51	1.72	1.94	2.18	2.45	2.78													
2,500	0.64	0.81	0.99	1.18	1.25	1.39	1.61	1.85	2.13	2.46	2.85													
3,000	0.61	0.87	1.07	1.22	1.27	1.36	1.54	1.77	2.10	2.43														
3,500	0.69	0.87	1.03	1.18	1.23	1.34	1.53	1.76	2.06															

COP (ASHRAE LBP)												12V DC, static cooling												W/W
rpm \ °C	-40	-35	-30	-25	-23.3	-20	-15	-10	-5	0	5	7.2												
2,000	0.67	0.95	1.21	1.46	1.54	1.69	1.92	2.16	2.43	2.75	3.12													
2,500	0.71	0.90	1.10	1.32	1.40	1.55	1.79	2.07	2.38	2.75	3.20													
3,000	0.68	0.97	1.19	1.36	1.41	1.52	1.72	1.98	2.35	2.73														
3,500	0.77	0.97	1.15	1.32	1.38	1.50	1.71	1.97	2.30															

Test conditions		EN 12900/CECOMAF*	ASHRAE LBP*
Condensing temperature		45°C	45°C
Ambient temperature		32°C	32°C
Suction gas temperature		32°C	32°C
Liquid temperature		no subcooling	32°C

Accessories for BD80CN		Code number
Bolt joint for one comp.		Ø:16 mm   118-1917
Bolt joint in quantities		Ø:16 mm   118-1918
Snap-on in quantities		Ø:16 mm   118-1919
Remote kit (without cable)		105N9210
One Wire/LIN gateway		105N9501
DC usage:	Automobile fuse, DIN 7258   12V: 15A   24V: 7.5 A Main switch min. 20A	Not deliverable from Secop
AC usage:	Fuse, 100-240V Main switch min. 6A	

Compressor speed		
Electronit unit	Resistor (R1) [Ω]	Motor speed
Code number	calculated values	[rpm]
101N0212 101N0510 101N0650	0	2,000
	277	2,500
	692	3,000
101N0340 with AEO	1523	3,500
	0	AEO
	173	2,000
	450	2,500
	865	3,000
	1696	3,500

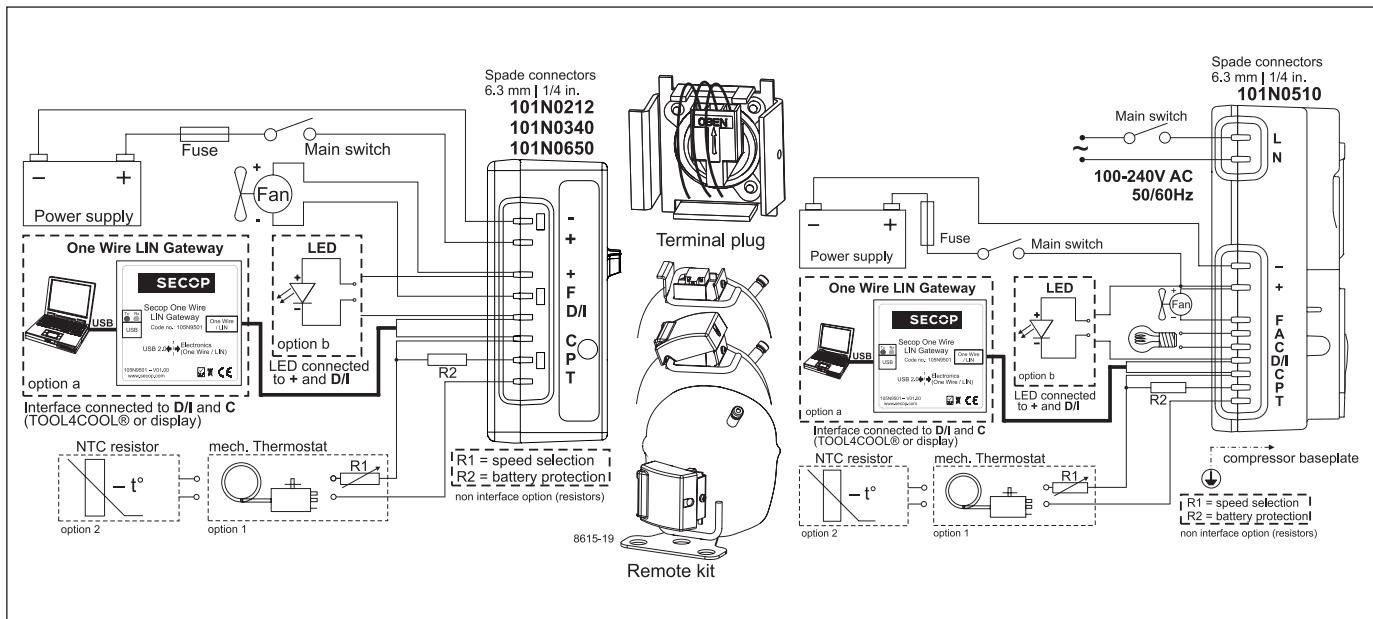
In AEO (Adaptive Energy Optimizing) speed mode the BD compressor will always adapt its speed to the actual cooling demand.

Wire dimensions DC						
Cross section	Size		Max. length* 12V operation		Max. length* 24V operation	
	[mm²]	[Gauge]	[m]	[ft.]	[m]	[ft.]
2.5	12		2.5	8	5	16
4	12		4	13	8	26
6	10		6	20	12	39
10	8		10	33	20	66

\*Length between battery and electronic unit

**Wire dimensions AC**  
Cross section min. 0.75 mm² or AWG 18

Operational errors	
Error code or LED flashes	Error type
	Can be read out in the software <b>TOOL4COOL®</b>
6	<b>Thermostat failure</b> (If the NTC thermistor is short-circuit or has no connection).
5	<b>Thermal cut-out of electronic unit</b> (If the refrigeration system has been too heavily loaded, or if the ambient temperature is high, the electronic unit will run too hot).
4	<b>Minimum motor speed error</b> (If the refrigeration system is too heavily loaded, the motor cannot maintain minimum speed at approximately 1,850 rpm).
3	<b>Motor start error</b> (The rotor is blocked or the differential pressure in the refrigeration system is too high (>5 bar)).
2	<b>Too many start attempts or fan over current</b> (Too many compressor or fan starts in short time or fan current higher than 0.5A <sub>avg</sub> ).
1	<b>Battery protection cut-out</b> (The voltage is outside the cut-out setting).



Secop accepts no responsibility for possible errors in catalogs, brochures, and other printed material. Secop reserves the right to alter its products without notice. This also applies to products already on order provided that such alterations can be made without consequential changes being necessary to specifications already agreed. All trademarks in this material are the property of the respective companies. Secop and the Secop logotype are trademarks of Secop GmbH. All rights reserved. [www.secop.com](http://www.secop.com)